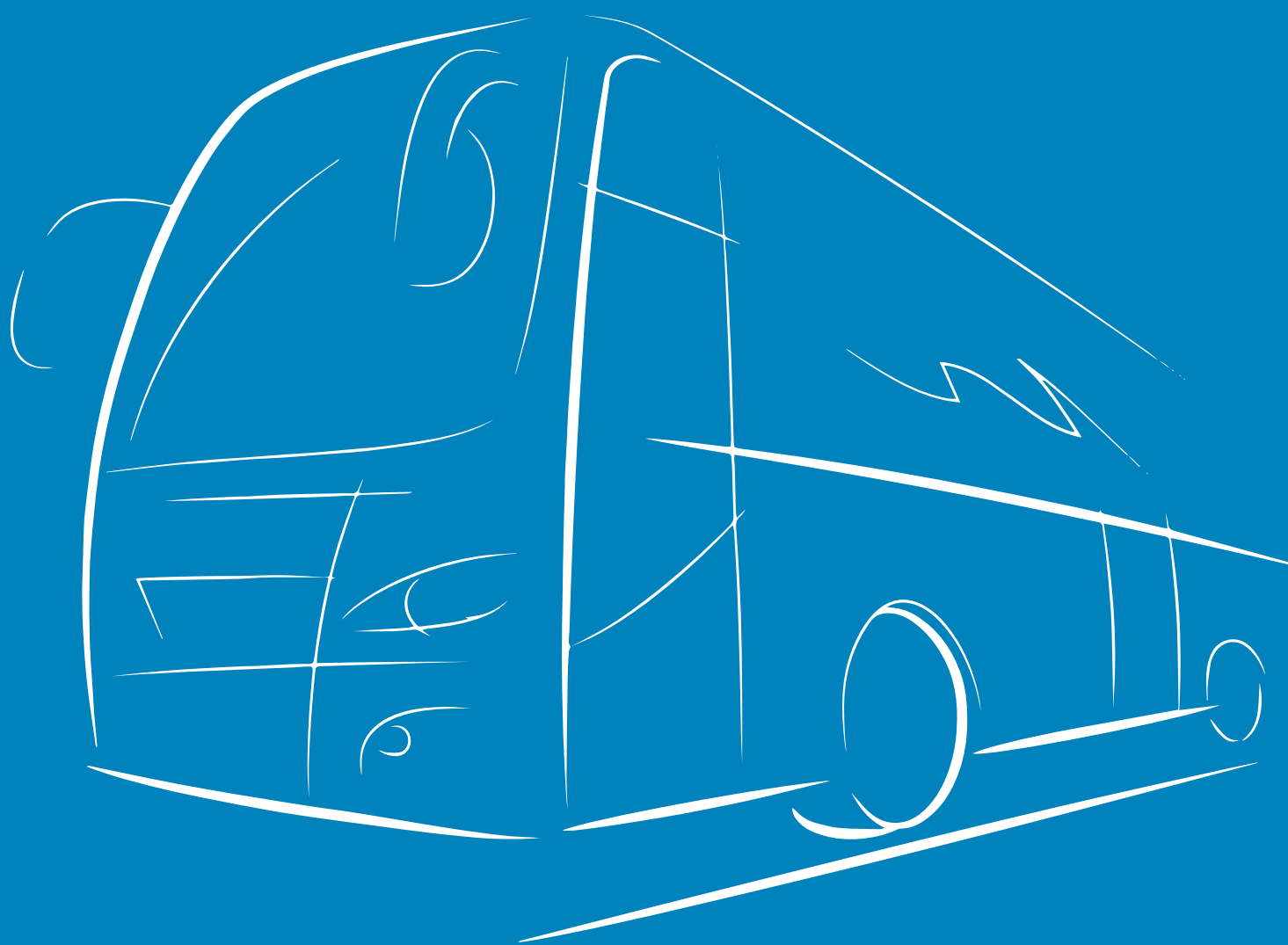


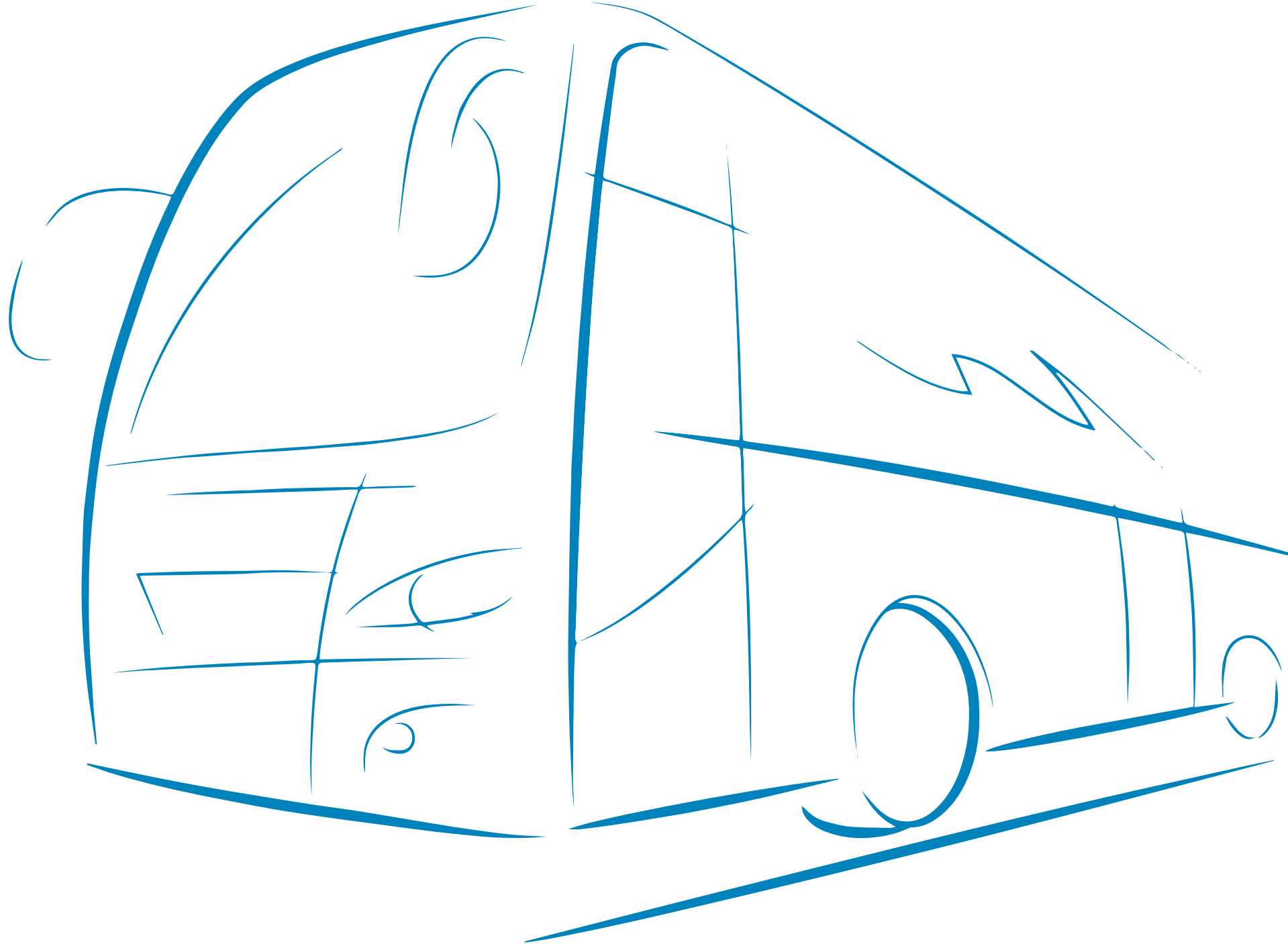


**AUTO  
BUS  
MIRROR**





OTO AYNA SAN. VE TİC. LTD. ŞTİ.  
AUTO MIRROR IND. TRADE Co. LTD.



## Phylosophy

Our missions are to ensure our customers safe journey in their vehicles and to keep their highest level of satisfaction with quality and durable products.

Our vision is to provide the continuity of products which are sensitive to human health and the environment through integrating the requirements of the necessities of the modern world and technological developments into our 40 years experience.

Our goal is to become an eternal corporation and world company as a brand preferred for its products in automotive industry.

*Ömer Faruk ATAMAK*



Product ID: 150.100.146 – 150.100.147

Product Name: Visio

Features	Avlb.	Unavlb.	Info
Heater	✓		(24v.)
Manual Adjustable	[A]		
Electric Adjustable	[B]		(24v.)
Mirror: Class II	✓		[B]
Mirror: Class IV	✓		[A]
Right	✓		150.100.146
Left	✓		150.100.147
Side Indicator Lamp	✓		(yellow led)
Position Lamp	✓		(white led)
Left-hand Drive	✓		
Right-hand Drive	✓		
E-Mark	✓		II-E9-02.6656 IV-E9-02.6655
Aspherical Mirror	✓		(optional)
Colour	✓		(optional)



#### Camera Technical Specifications

- 1/4" CMOS Sensor
- 1.5 Lux, 170° Wide Angle Lens
- 420TVL Resolutions
- S/N Ratio: 46dB
- 1.0VP-P 75ohm video out put
- IP68 Water-proof
- Normal or mirror view (opt.)
- 420 TVL
- AGC (Automatic), BLC (Automatic)
- Easy setup and assembly
- 4 Pin thin cable
- Water proof cable design
- Vibration free connection structure
- -30°C ~ 70°C Operating Temperature Range



#### Screen Technical Specifications

- 7" Digital TFT LCD Color Screen (Quad)
- 800 x 480 Piksel Resolution (PAL/NTSC)
- Turkish OSD
- 4 Channel Video Out Put
- 60° Watching Angle
- 350 cd/m2 Brightness
- 300 / 1 Contrast
- Mirror View
- View Change
- Screen Strut
- Remote Control (Full Control)



Plastic Parts: <ABS> %100 Pure Material  
Metal Parts: <Aluminium> (AlSiMg10)  
Inner Chasis of Mirror Arm: Steel Pipe/Profile, Coated/Painted.  
Body of Mirror Arm: Polyurethane

Product ID: 150.100.081 – 150.100.082

Product Name: ultima

Features	Avlb.	Unavlb.	Info
Heater	✓		(24v.)
Manual Adjustable	✓		
Electric Adjustable	✓		(24v.)
Mirror: Class II	✓		[B]
Mirror: Class IV	✓		[A]
Right	✓		150.100.081
Left	✓		150.100.082
Side Indicator Lamp	✓		(yellow led)
Position Lamp	✓		(white led)
Left-hand Drive	✓		
Right-hand Drive		✗	
E-Mark	✓		II-E9-02.6656 IV-E9-02.6655
Aspherical Mirror		✗	
Colour	✓		(optional)

Product ID: 150.100.083 – 150.100.084

Product Name: Futura

Features	Avlb.	Unavlb.	Info
Heater	✓		(24v.)
Manual Adjustable		✗	
Electric Adjustable	✓		(24v.)
Mirror: Class II	✓		
Mirror: Class IV		✗	
Right	✓		150.100.083
Left	✓		150.100.084
Side Indicator Lamp	✓		(yellow led)
Position Lamp	✓		(white led)
Left-hand Drive	✓		
Right-hand Drive		✗	
E-Mark	✓		II-E9-02.6657
Aspherical Mirror	✓		(optional)
Colour	✓		(optional)



Plastic Parts: <ABS> %100 Pure Material  
Metal Parts: <Aluminium> (AlSiMg10)  
Inner Chasis of Mirror Arm: Steel Pipe/Profile, Coated/Painted.  
Body of Mirror Arm: Polyurethane



Plastic Parts: <ABS> %100 Pure Material  
Metal Parts: <Aluminium> (AlSiMg10)  
Inner Chasis of Mirror Arm: Steel Pipe/Profile, Coated/Painted.

Product ID: 150.100.086 – 150.100.087			
Product Name: Azra			
Features	Avlb.	Unavlb.	Info
Heater	✓		(24v.)
Manual Adjustable	✓		
Electric Adjustable	✓		(24v.)
Mirror: Class II	✓		[B]
Mirror: Class IV	✓		[A]
Right	✓		150.100.086
Left	✓		150.100.087
Side Indicator Lamp	✓		(yellow led)
Position Lamp	✓		(white led)
Left-hand Drive	✓		
Right-hand Drive	✓		
E-Mark	✓		II-E9-02.6656 IV-E9-02.6655
Aspherical Mirror		✗	
Colour	✓		(optional)



Plastic Parts: <ABS> %100 Pure Material  
Metal Parts: <Aluminium> (AlSiMg10)

Product ID: 150.100.075 – 150.100.076			
Product Name: Univera			
Features	Avlb.	Unavlb.	Info
Heater	✓		(24v.)
Manual Adjustable		✗	
Electric Adjustable	✓		(24v.)
Mirror: Class II	✓		
Mirror: Class IV		✗	
Right	✓		150.100.075
Left	✓		150.100.076
Side Indicator Lamp	✓		(yellow led)
Position Lamp	✓		(white led)
Left-hand Drive	✓		
Right-hand Drive	✓		
E-Mark	✓		II-E9-02.6657
Aspherical Mirror	✓		(optional)
Colour	✓		(optional)



Plastic Parts: <ABS> %100 Pure Material  
Metal Parts: <Aluminium> (AlSiMg10)  
Inner Chasis of Mirror Arm: Steel Pipe/Profile, Coated/Painted.

Product ID: 150.100.088 – 150.100.090			
Product Name: Ametis			
Features	Avlb.	Unavlb.	Info
Heater	✓		(24v.)
Manual Adjustable		✗	
Electric Adjustable	✓		(24v.)
Mirror: Class II	✓		
Mirror: Class IV		✗	
Right	✓		150.100.088
Left	✓		150.100.090
Side Indicator Lamp	✓		(yellow led)
Position Lamp	✓		(white led)
Left-hand Drive	✓		
Right-hand Drive	✓		
E-Mark	✓		II-E9-02.6657
Aspherical Mirror	✓		(optional)
Colour	✓		(optional)



Plastic Parts: <ABS> %100 Pure Material  
Metal Parts: <Aluminium> (AlSiMg10)

Product ID: 150.100.061 – 150.100.062			
Product Name: diamond			
Features	Avlb.	Unavlb.	Info
Heater	✓		(24v.)
Manual Adjustable	✓		
Electric Adjustable	✓		(24v.)
Mirror: Class II	✓		[B]
Mirror: Class IV	✓		[A]
Right	✓		150.100.062
Left	✓		150.100.061
Side Indicator Lamp	✓		(yellow led)
Position Lamp	✓		(white led)
Left-hand Drive	✓		
Right-hand Drive	✓		
E-Mark	✓		II-E9-02.6656 IV-E9-02.6655
Aspherical Mirror		✗	
Colour	✓		(optional)





Product ID: 150.100.021 - 150.100.029 - 150.100.030

Product Name: merc. O403/man S2000 type

Features	Avlb.	Unavlb.	Info
Heater	✓		(24v.)
Manual Adjustable		✗	
Electric Adjustable	✓		(24v.)
Mirror: Class II	✓		
Mirror: Class IV		✗	
Right	✓		
Left	✓		
Side Indicator Lamp		✗	(yellow led)
Position Lamp		✗	(white led)
Left-hand Drive	✓		
Right-hand Drive		✗	
E-Mark	✓		II-E9-03.6921
Aspherical Mirror	✓		(optional)
Colour	✓		(optional)

MANUAL  
150.100.019 - 150.100.029 - 150.100.026

Plastic Parts: <ABS> %100 Pure Material  
Metal Parts: <Aluminium> (AISI3030)  
Inner Chasis of Mirror Arm: Steel Pipe/Profile, Coated/Painted.  
Body of Mirror Arm: Polyurethane



Plastic Parts: <ABS> %100 Pure Material  
Metal Parts: <Aluminium> (AISI3030)  
Inner Chasis of Mirror Arm: Steel Pipe/Profile, Coated/Painted.

Product ID: 150.100.007 - 150.100.008

Product Name: Prensas

Features	Avlb.	Unavlb.	Info
Heater	✓		(24v.)
Manual Adjustable		✗	
Electric Adjustable	✓		(24v.)
Mirror: Class II	✓		
Mirror: Class IV		✗	
Right	✓		150.100.007
Left	✓		150.100.008
Side Indicator Lamp		✗	
Position Lamp		✗	
Left-hand Drive	✓		
Right-hand Drive	✓		
E-Mark	✓		II-E9-02.6658
Aspherical Mirror	✓		(optional)
Colour	✓		(optional)

Product ID: 150.100.068 - 150.100.067

Product Name: Neoplan

Features	Avlb.	Unavlb.	Info
Heater	✓		(24v.)
Manual Adjustable		✗	
Electric Adjustable	✓		(24v.)
Mirror: Class II	✓		
Mirror: Class IV		✗	
Right	✓		150.100.067
Left	✓		150.100.068
Side Indicator Lamp		✗	
Position Lamp		✗	
Left-hand Drive	✓		
Right-hand Drive	✓		
E-Mark	✓		II-E9-02.6658
Aspherical Mirror	✓		(optional)
Colour	✓		(optional)

Plastic Parts: <ABS> %100 Pure Material  
Metal Parts: <Aluminium> (AISI3030)  
Mirror Arm: <Aluminium> (AISI3030), Coated/Painted.  
Body of Mirror Arm: Fiber Glass (full-filled)



Plastic Parts: <ABS> %100 Pure Material  
Metal Parts: <Aluminium> (AISI3030)  
Inner Chasis of Mirror Arm: Steel Pipe/Profile, Coated/Painted.

Product ID: 150.100.041 - 150.100.042

Product Name: Roybus

Features	Avlb.	Unavlb.	Info
Heater	✓		(24v.)
Manual Adjustable		✗	
Electric Adjustable	✓		(24v.)
Mirror: Class II	✓		
Mirror: Class IV		✗	
Right	✓		150.100.042
Left	✓		150.100.041
Side Indicator Lamp		✗	
Position Lamp		✗	
Left-hand Drive	✓		
Right-hand Drive	✓		
E-Mark	✓		II-E9-03.6921
Aspherical Mirror	✓		(optional)
Colour	✓		(optional)



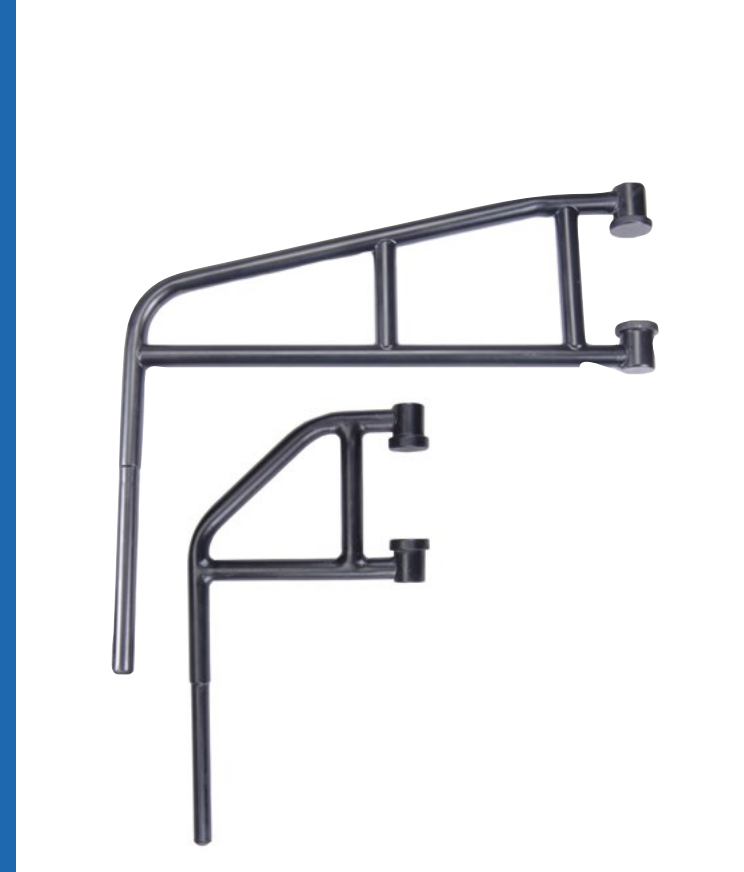
Product ID: 150.130.008 – 150.130.009

Product Name: O 345 Conecto



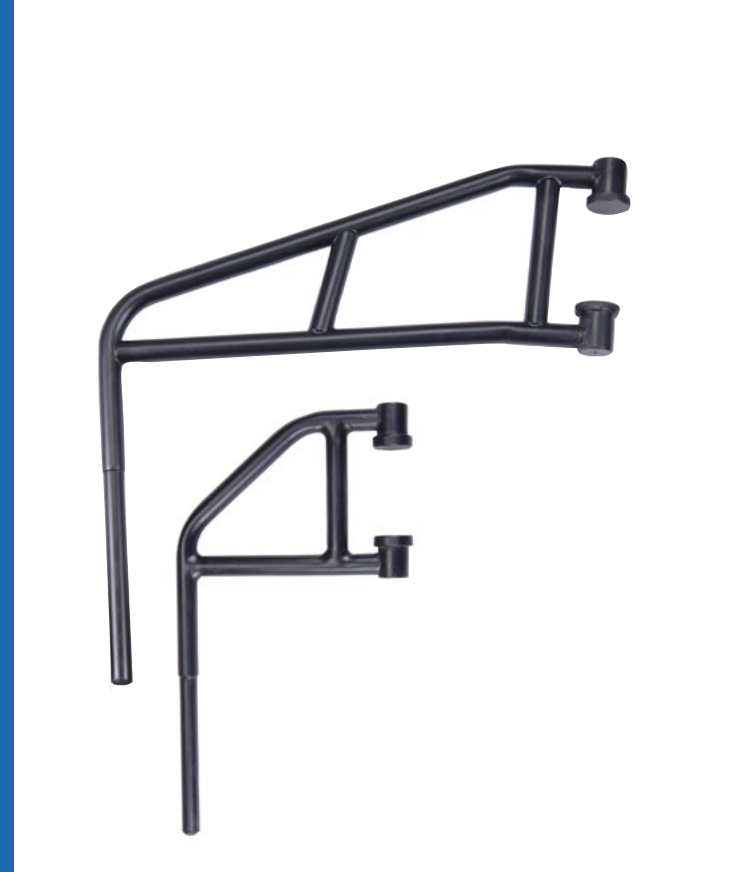
Product ID: 150.130.019 – 150.130.020

Product Name: Otokar



Product ID: 150.130.029 – 150.130.030

Product Name: V-6



Product ID: 150.130.031 – 150.130.032

Product Name: V-8



Product ID: 150.130.010 – 150.130.011

Product Name: M50



Product ID: 150.130.017 – 150.130.018

Product Name: Eurobus



Product ID: 150.130.037 – 150.130.045

Product Name: BMC



Product ID: 150.130.026

Product Name: Champion



Product ID: 150.130.022 – 150.130.023

Product Name: O304



Product ID: 150.130.058

Product Name: Merc. O403/Man S2000



Product ID: 150.130.016

Product Name: M50



Product ID: 150.130.021

Product Name: Otokar



Product ID: 150.130.057

Product Name: Merc. O403/Man S2000



Product ID: 150.130.056

Product Name: Merc. O403/Man S2000



33cm  
50cm  
69cm

Product ID: 150.130.055

Product Name: Double Int. Mirror Arm



Product ID: 150.169.008

Product Name: Setting Switch





II-E9-02.6656  
IV-E9-02.6655

Product ID: 150.110.073

Product Name: *Diamond*



II-E9-02.6657

Product ID: 150.110.074

Product Name: *Univera*



II-E9-02.6658

Product ID: 150.110.001 - 150.110.002

Product Name: *Prenses*



Product ID: 150.110.003

Product Name: *O345 Conecto*



II-E9-03.6921

Product ID: 150.110.004 - 150.110.005

Product Name: *Merc. O403/Man S2000*



II-E9-03.6921

Product ID: 150.110.006 - 150.110.007

Product Name: *Merc. O403/Man S2000*



Product ID: 150.110.046

Product Name: *Champion*



Product ID: 150.110.012

Product Name: *V-6*





Product ID: 150.110.018  
Product Name: V-8



Product ID: 150.110.054  
Product Name: Fuso



Product ID: 150.110.020  
Product Name: Rectangular Platform Mirror



Product ID: 150.110.021  
Product Name: Square Platform Mirror



Product ID: 150.110.009  
Product Name: Merc. O403/Man S2000



Product ID: 150.110.066  
Product Name: O345 Conecto



Product ID: 150.110.023  
Product Name: Buffer Lens



Product ID: 150.110.025  
Product Name: Champion



Product ID: 150.110.029  
Product Name: O304



Product ID: 150.110.030  
Product Name: M50



Product ID: 150.155.001  
Product Name: Bracket



Product ID: 150.156.001  
Product Name: O403 Bellows



Sprinter  
Ducato  
Volt  
Crafter  
Jumper  
Boxer  
Jest  
M2010

Product ID: 150.110.031  
Product Name: Light Commercial



Product ID: 150.110.048  
Product Name: Universal



Product ID: 150.159.008  
Product Name: Plastic Articulation



Product ID: 150.169.023  
Product Name: Int. Mirror Holder



Product ID: 150.169.010 - 150.169.039  
Product Name: Adaptor



Product ID: 150.158.001  
Product Name: O403 Bracket



Product ID: 150.158.007  
Product Name: ÖFA R Bracket



Product ID: 150.158.008  
Product Name: ÖFA L Bracket



Product ID: 150.158.003  
Product Name: Presses Bracket



Product ID: 150.158.004  
Product Name: M50 Bracket



Product ID: 150.158.014  
Product Name: Diamond



Product ID: 150.160.005  
Product Name: O403 Mounting Plate





Product ID: 150.160.006

Product Name: *Prenses Mounting Plate*



Product ID: 150.160.012

Product Name: *Diamond Mounting Plate*



Product ID: 150.160.001

Product Name: *M50 Mounting Plate*



Product ID: 150.160.002

Product Name: *ÖFA Mounting Plate*

### Contact Information

Address : Veysel Karani Mah. 17. Ay Sk. No: 40

Osmangazi / BURSA TR-16250

Telephone 1 : +90 224 215 56 54

Telephone 2 : +90 224 215 56 85

Fax : +90 224 215 56 84

E-mail : ofa@ofa.com.tr





[www.ofa.com.tr](http://www.ofa.com.tr)

